

CONTACT US

Address: Room 1107, Block B, Fuli Center, Hefei
Road, Tianjin,China

Tel: 86 22 87528810

Fax: 86 22 87528810

Website: www.siscovalve.com

E-mail: sales@siscovalve.com



RCV020

Double Door Wafer Check Valve
Fully Rubber Lined



SISCO VALVE

COMPANY PROFILE

SISCO is a competitive valve manufacturer that was first incorporated in 1995. As an OEM manufacturer, we specialize in premium industrial valves. Our main products include the butterfly valve, gate valve, and check valve. These products are utilized extensively by industries such as petroleum, chemical engineering, sewage treatment as well as air and water treatment. Customization services are available upon request.

SISCO owns 12,000 square meters of real estate. We maintain operations with a staff of more than 200 employees, many of whom are senior engineers and experienced technicians. Our modern facilities include 11 workshops and 3 automatic assembling machines that have been specialized for dedicated functions such as assembly, processing, painting, and testing. A complete array of advanced equipment ensures the quality of our products.

We have successfully passed the certification of internationally recognized standards such as CE, DNV, GOST, and ISO9001. Our manufacturing techniques implement state-of-the-art technologies to guarantee high processing efficiency and integrity. This level of enhanced productivity is the underlying basis for our always-on-time delivery policy. As a mature and responsible enterprise, we strive to provide considerate and attentive after-sales services.

SISCO exports worldwide to regions including the Americas, Europe, and the Middle East. Our valves have also exhibited outstanding performance on domestic markets, serving as the control node for systems such as petroleum pipelines, heat supply pipelines, water supply pipes, chemical pipelines, and sewage treatment.

Product quality has always been our top priority. All SISCO employees are trained in proper handling and operating techniques. We have developed quality control protocols to streamline everything from raw material procurement to machining, inspection, and logistics.

Please contact us with product and service related inquiries! We look forward to your correspondence.

Double Door Wafer Check Valve Fully Rubber Lined

RCV020 Series



RCV020

Butterfly Valve Series

PRODUCTION CAPABILITY AND CERTIFICATE

01 02



RCV020

Butterfly Valve Series

FIELD OF APPLICATION

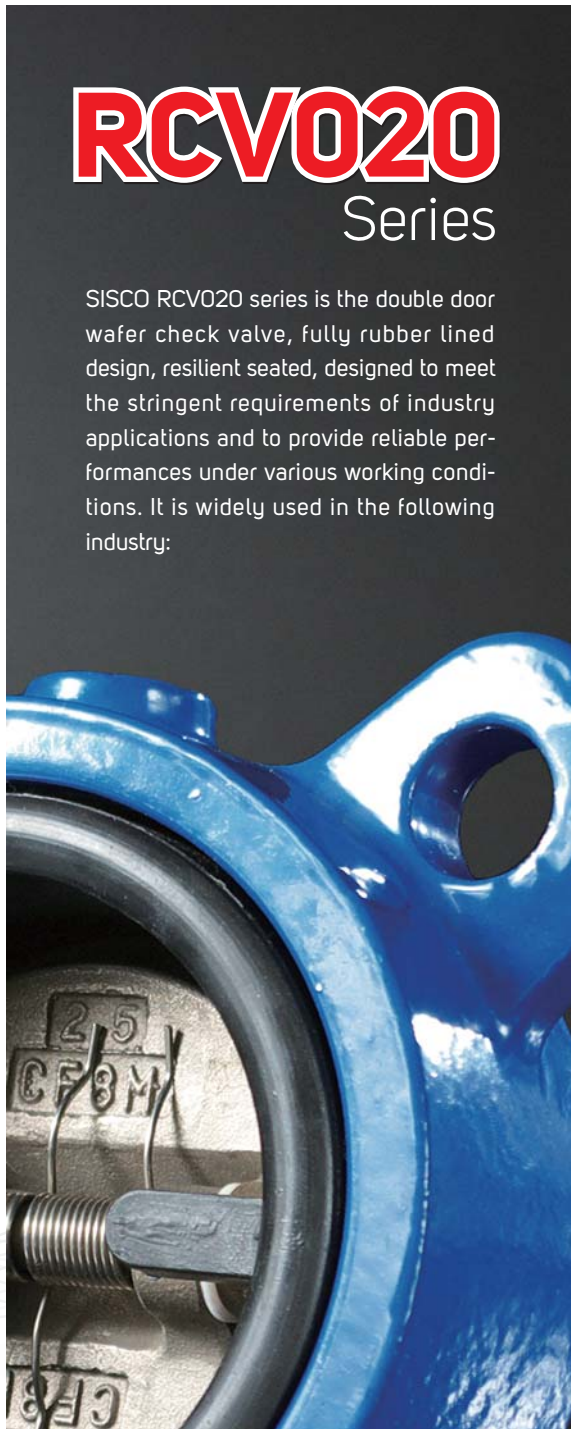
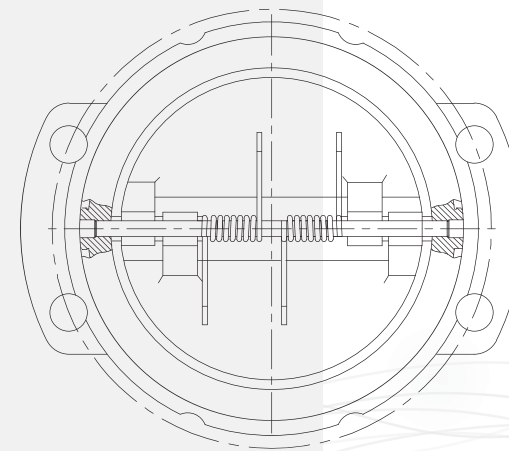
03 04

- Chemical Industry
- Beverage
- Brewing/Wine Making
- Pharmaceutical
- Food Processing
- Petroleum Refining & Oilfield
- Water & Wastewater Treatment
- Ultrapure Water
- Marine
- Desalination

DESIGN FEATURES

1. Minimizes piping support with compacted wafer style body;
2. To meet special applications and service conditions, RCV020 series can be offered with many different options;
3. For media containing fibrous matter or caustics, SISCO offers an external spring which eliminates the spring from the flow path. This will prohibit the possibility of fiber wrapping around the spring or chemical attacking the spring;
4. Minimal site maintenance, replaceable O-ring seat available in all styles and sizes;
5. Long service life and reliable performance;
6. Fully lined EPDM/NBR resilient seat, wide applicable scope, easy installation and maintenance.

Double Door Wafer Check Valve Fully Rubber Lined1



RCV020

Series

SISCO RCV020 series is the double door wafer check valve, fully rubber lined design, resilient seated, designed to meet the stringent requirements of industry applications and to provide reliable performances under various working conditions. It is widely used in the following industry:

RCV020

Butterfly Valve Series

GENERAL FEATURES

05  06

Body

Wafer short pattern design, which possesses small volume, light weight and easy installation.

Disc

The casted stainless steel or Aluminum Bronze double semicircular disc possesses the features of high strength, excellent corrosion resistance and good resistance to deformation against the water hammer pressure in long-term use.

Spring

According to the actual need, the stainless steel spring can be flexible adjusted. The accurate calculation and precise design can ensure quick and non-blocked on/off the disc.

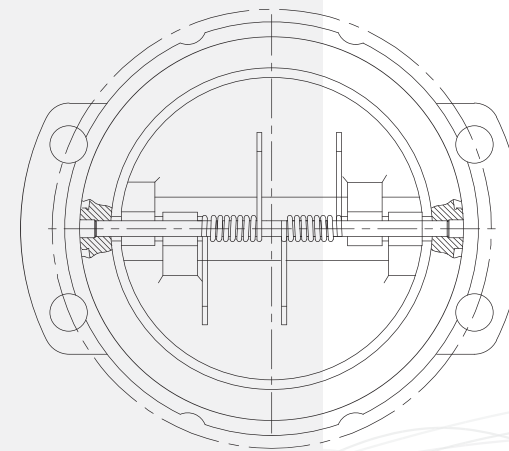
Seat

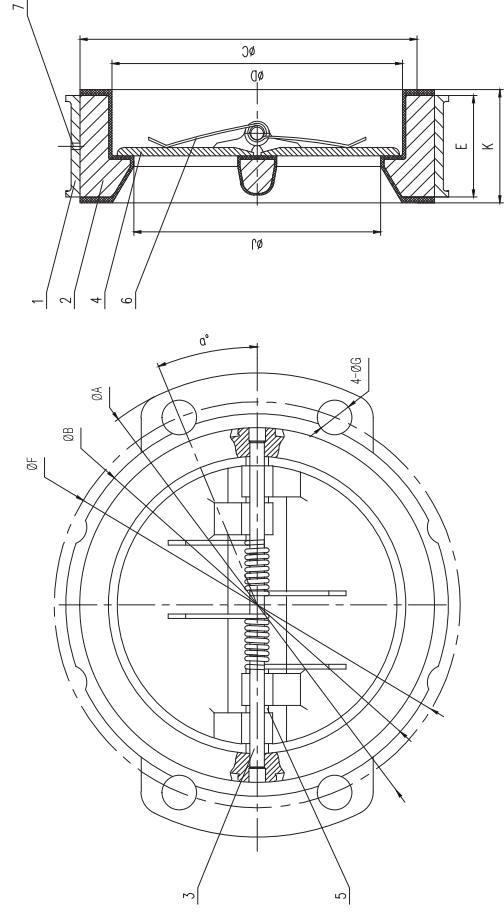
Fully lined EPDM/NBR seat design completely isolates the media from corroding the body and increase service life of the valve.

Double Door Wafer Check Valve Fully Rubber Lined1

STANDARD MATERIALS

Nominal Dimension	Nominal Pressure	Connectivity Standard	Part Name	Material
Available DN50 ~ DN500	Available PN10/16 or ANSI Class 150	Available DIN PN10/16 or ANSI Class 150	Body	Cast Iron Ductile Iron
			Body Coating	Epoxy Coating
			Disc	ASTM 304 Stainless Steel
				ASTM 316 Stainless Steel
				Super Duplex Stainless Steel Aluminum Bronze
			Disc Surfacing	Nylon Coating
				Halar Coating
			Stem	ASTM 304 Stainless Steel
				ASTM 316 Stainless Steel
				ASTM 416/420 Stainless Steel
Super Duplex Stainless Steel Monel				
Seat	NBR			
	EPDM			
	EPDM-Food Grade			
	Viton Silicon Rubber			





SPECIFICATIONS

Item	Unit	Requirement
Nominal Pressure	Mpa	1.0
Shell Test	Mpa	1.5
Closure Test	Mpa	1.1
Applicable Temperature	°C	-20~120°C
Applicable Media		Oil, Water, Gas

Main sizes

DN	øA	øB	øC	øD	E	øF	øG	øH	a°	øJ	K
50	159	101	81.8	66.7	50	125	18	45°	47.6	51	
65	179	120	99	79.4	50	145	18	45°	58.7	51	
80	200	133	116.4	92.1	50	180	18	22.5°	69.9	51	
100	220	171	143.4	117.5	60	180	18	22.5°	87.3	63.5	
125	250	198	172	144.4	63.8	210	18	22.5°	112.7	66.7	
150	285	222	200.6	171.5	75.5	240	22	22.5°	141.3	79.4	
200	340	280	254.5	222.3	97.2	295	22	22.5°	192.1	99.7	
250	406	336	309	276.2	98.4	350	22	15°	230.2	101.6	
300	482	406	365.2	327	127	400	22	15°	274.6	130.6	
350	533	450	394.2	355.6	177	460	22	11.25°	304.8	181	
400	586	488	488	406.4	158	515	26	11.25°	355.6	182	
450	635	545	505.8	460	181	565	26	9°	406.4	184.2	
500	715	585	553	508	212	620	26	9°	460.3	216	

Item No.	Part Code	Part List	QTY.	Material List	Unit	Total Weight	Remarks
7	H76J-10-09	Fastening screw	1	Q235			
6	H76J-10-07	Spring	2	1.4462			
5	H76J-10-06	Gasket	4	PTFE			
4	H76J-10-05	Disc	2	DUPELEX SS			
3	H76J-10-03	Shaft	1	1.4462			
2	H76J-10-02	Seat	1	GGG40+EPDM			
1	H76J-10-01	Body	1	GGG40			

SISCO FLOW CONTROL CO.,LTD.			
G/A Drawing			
Mark No.	Revision	Date	Scale
Design	Drawn	Designation	Weight
Checked	Revised	Drawing Marks	QTY.
Process	Approved	A	1
Standard	Date	2016.06.27	SHEET OF

Double Door Wafer Check Valve Fully Rubber Lined

RCV020 Series

