

CONTACT US

Address: Room 1107, Block B, Fuli Center, Hefei
Road, Tianjin,China

Tel: 86 22 87528810

Fax: 86 22 87528810

Website: www.siscovalve.com

E-mail: sales@siscovalve.com



RBV-S/PN25

High Performance Concentric Resilient Seated Butterfly Valve



SISCO VALVE

COMPANY PROFILE

SISCO is a competitive valve manufacturer that was first incorporated in 1995. As an OEM manufacturer, we specialize in premium industrial valves. Our main products include the butterfly valve, gate valve, and check valve. These products are utilized extensively by industries such as petroleum, chemical engineering, sewage treatment as well as air and water treatment. Customization services are available upon request.

SISCO owns 12,000 square meters of real estate. We maintain operations with a staff of more than 200 employees, many of whom are senior engineers and experienced technicians. Our modern facilities include 11 workshops and 3 automatic assembling machines that have been specialized for dedicated functions such as assembly, processing, painting, and testing. A complete array of advanced equipment ensures the quality of our products.

We have successfully passed the certification of internationally recognized standards such as CE, DNV, GOST, and ISO9001. Our manufacturing techniques implement state-of-the-art technologies to guarantee high processing efficiency and integrity. This level of enhanced productivity is the underlying basis for our always-on-time delivery policy. As a mature and responsible enterprise, we strive to provide considerate and attentive after-sales services.

SISCO exports worldwide to regions including the Americas, Europe, and the Middle East. Our valves have also exhibited outstanding performance on domestic markets, serving as the control node for systems such as petroleum pipelines, heat supply pipelines, water supply pipes, chemical pipelines, and sewage treatment.

Product quality has always been our top priority. All SISCO employees are trained in proper handling and operating techniques. We have developed quality control protocols to streamline everything from raw material procurement to machining, inspection, and logistics.

Please contact us with product and service related inquiries! We look forward to your correspondence.

High Performance Concentric Resilient Seated Butterfly Valve

RBV-S/PN25 Series



R BV-S/PN25

Series

FIELD OF APPLICATION

01 02

DESIGN FEATURES

RBV-S/PN25-W SERIES

Wafer type concentric soft backup seat designing, size from 2"-12"(DN50-DN300)

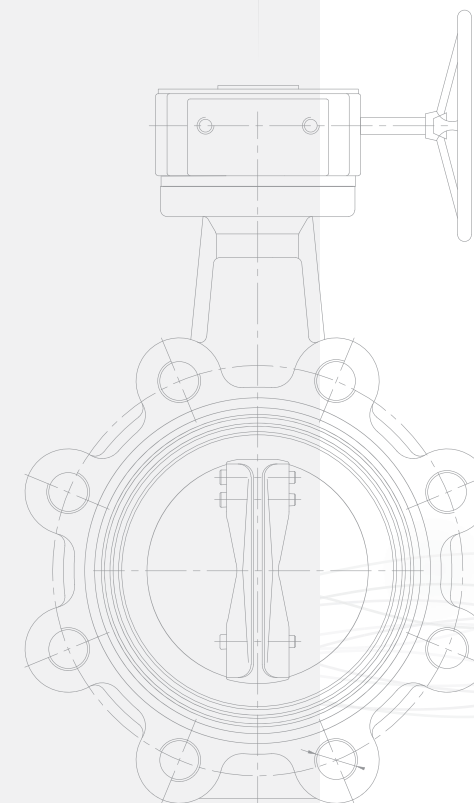


RBV-S/PN25-L SERIES

Lug type concentric soft backup seat designing, size from 2"-12"(DN50-DN300)



High Performance Concentric Resilient Seated Butterfly Valve



RBV-S/PN25

Series



Size

DN50-DN300

Working Pressure

2.5Mpa, ANSI Class300

End connection

BS EN 1092-2 PN25, DIN2634 PN25,
ASME/ANSI B16.5 CLASS300

Face to face

ISO5752-20, BS EN 558

RBV-S/PN25 series are the self-developed and high preformed concentric resilient seated butterfly valve that perform reliably under working pressure of 25 bar(PN25).

The design breaks through the standard pressure limitation (max PN16) for concentric resilient seated butterfly valve to replace traditional eccentric PN25 butterfly valve. Along with concentric design features such as dry shaft and body, low torque, low weight, bi-directional installation etc., working pressure up to PN25 extends valve application scope to a whole new level.

Being tested 1.5 times working pressure for sealing and 5 times working pressure for body shell strength, this series provides reliable sealing performance and service life under pressure of 25 bar.



GENERAL FEATURES

03  04

Applicable Temperature

Change different material of seat, RBV-S/PN25 adapt to wide range of temperature.

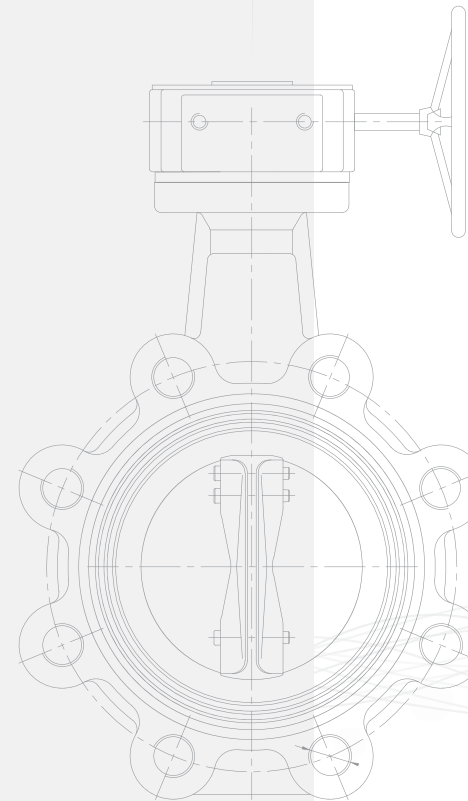
Material	Working temperature
EPDM	-4°F (-20°C) ~248°F (120°C)
Buna -N (NBR)	-4°F (-20°C) ~248°F (120°C)
Viton	-22°F (-30°C) ~392°F (200°C)
Polyurethane(PU)	14°F (-10°C) ~ 176 °F (80°C)

Optional Material

Different Disc/Seat material combination in this series are available to be chosen according to different media and working conditions, experience senior SISCO engineers are here to serve you providing professional advices to meet your particular requirements.

Parts Name	Material
Body	Ductile Iron
	WCB,CF8/CF8M
Surface Coating	Epoxy Coating
Disc	CF8/CF8M
	Super Duplex Stainless Steel
	Aluminum Bronze
Shaft	431 Stainless Steel
	Super Duplex Stainless Steel
	Monel Metal
Seat	EPDM
	Buna-N(NBR)
	Viton
	Polyurethane(PU)

High Performance Concentric Resilient Seated Butterfly Valve



GENERAL FEATURES

- International Compatibility / Bi-directional Sealing**
- Full Rubber Lining / Dry Shaft Design**
- Smaller Operation Torque**
- Easy Installation & Maintenance**
- Full Bore Feature**

International Compatibility

Top Flange: RBV-S/PN25 series top flanges mounting meets ISO5211 standard for direct mounting of handles, gear operators, pneumatic and electric actuators, and no brackets are required, which allows of simple installation in the field, minimizes possible misalignment and reduces overall height.

Side Flange: Connection compatibility design allows this series butterfly valve to be installed between flanges of BS EN 1092-2 PN25, DIN 2634 PN25, ASME/ANSI B16.5 CLASS300 simultaneously.

Bi-directional Sealing

Concentric resilient seated design features the series bi-directional bubble tight shut off with zero leakage, bi-directional sealing breaks the directional limitation during installation, making it much more flexible and more achieving friendly working, zero leakage perfects the sealing performance especially in gas and air application.

R BV-S/PN25 Series

GENERAL FEATURES

05 06

Full Rubber Lining

Full Rubber lined valve interior completely isolating the line media from the body eliminating unnecessary contacts between media and body, body material therefore does not have to be corrosion resistance materials, which usually being expensive, this feature lowers the overall cost.

Dry Shaft Design

Alternative to high corrosion resistance shaft materials, this valve is equipped with the dry shaft provision, in that case the shaft with standard material is protected from the medium by applying rubber lining, and this lining protects the standard shaft material against corrosive environments.



Smaller Operating Torque

Disc of precise calculation, interference fit of seat and polishing disc sealing surface greatly reduces the operating torque, thus closing torque which makes operation easier as well as saving cost in actuator selection.

Easy Installation & Maintenance

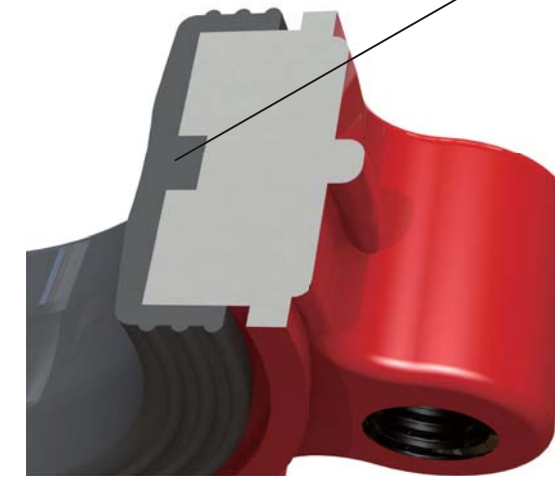
Light weight and volume lowering cost and achieving easy installation

Full Bore Feature

Full bore feature results in extremely higher Cv value and minimized the flow loss.

High Performance Concentric Resilient Seated Butterfly Valve

LEADING DESIGN



Disc

Thickened and high intensity disc makes RBV-S/PN25 series reliable under PN25 working pressure and while blocking the medium. Streamline and dumbbell-shaped disc can maximize the CV and minimize the resistance with increasing the intensity.



The sealing edges are spherically machined, and then hand polished to provide minimum torque and longer seat life. SISCO also provide mirror polished disc to lower flow and operation torque and increase Cv value.

The disc O.D. clearance is designed to work with all standard piping.

Seat

SISCO's vulcanized tongue and groove seat with spherical sealing design is the key to reliable seal under PN25 working pressure.



Sealing zone

As our core and patent seat designing, this nontraditional spherical seat design makes RBV-S/PN25 series of high performance centerline butterfly valves perform excellent under PN25.

There is a sealing zone in the middle of the seat. The disc can seal well as long as within the seal zone which means that being vertical to seat is not the only way of seal.

Double water line design at each edge can form a vacuum space to absorb and make seal between butterfly valve and pipes effective while valve is mounted.

Both wafer and lug type of RBV-S/PN25 serie have passed the seal test of 38 Bar(1.5 times of working pressure).

R BV-S/PN25 Series

LEADING DESIGN

07 08

Blow-out Proof

Reliable blow-out proof provides full retention of the shaft in the unlikely event of internal shaft failure. According to connection difference between shaft and disc there are two kind of blow-out proof designing as below:



Non-pin connection
blow-out proof



Pin connection
blow-out proof

Shaft

One unique shaft without any groove on it so that minimized hysteresis and produces maximum strength engagements.

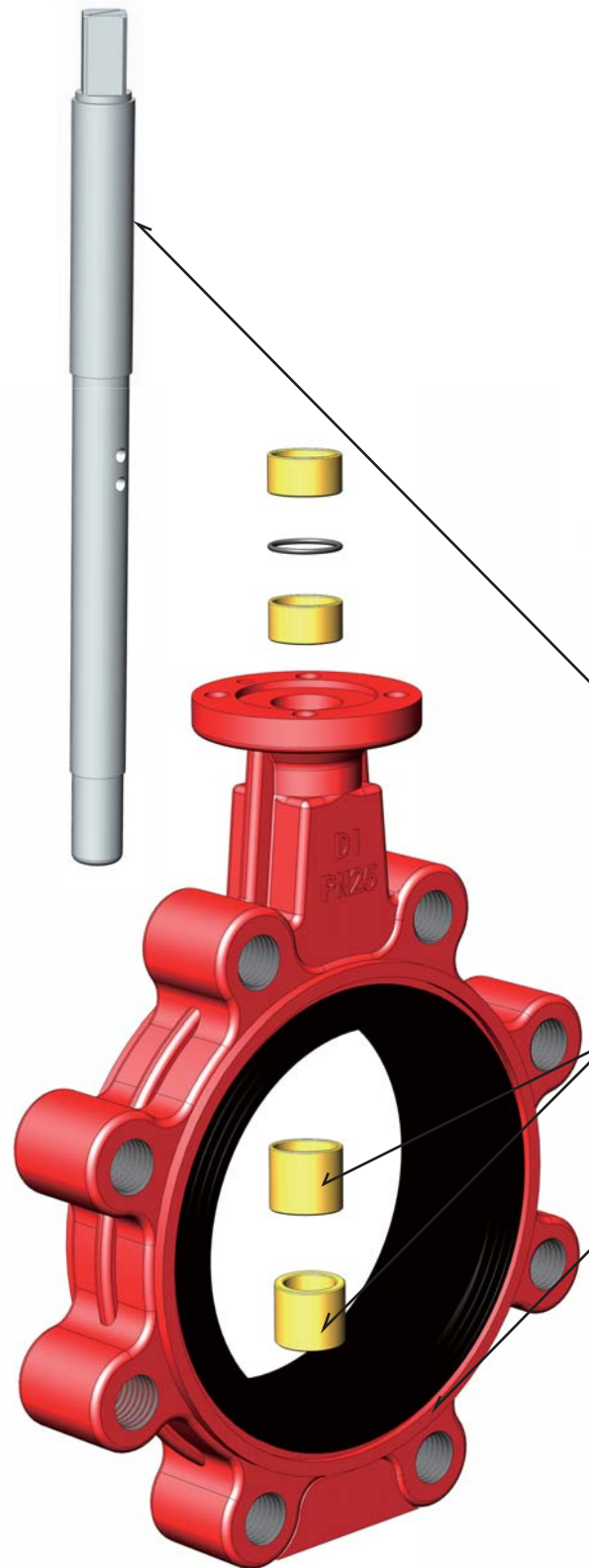
Single shaft pin-less disc connection and single shaft pin disc connection are both available to be chosen according to customers' preference.

Shaft Bushing

Using bronze alloy bushing to keep self-lubricating nature, absorbs actuator side thrust in the meantime, provides additional support for the shaft.

Body

We offer WAFER and LUG type so that could be mounted in the middle or the end of the pipe. One-piece structure casted by high standard ductile iron material, both wafer and lug type of RBV-S/PN25 series have passed the shell test of 125 Bar(5 times of working pressure).



High Performance Concentric Resilient Seated Butterfly Valve

RBV-S/PN25 Series

